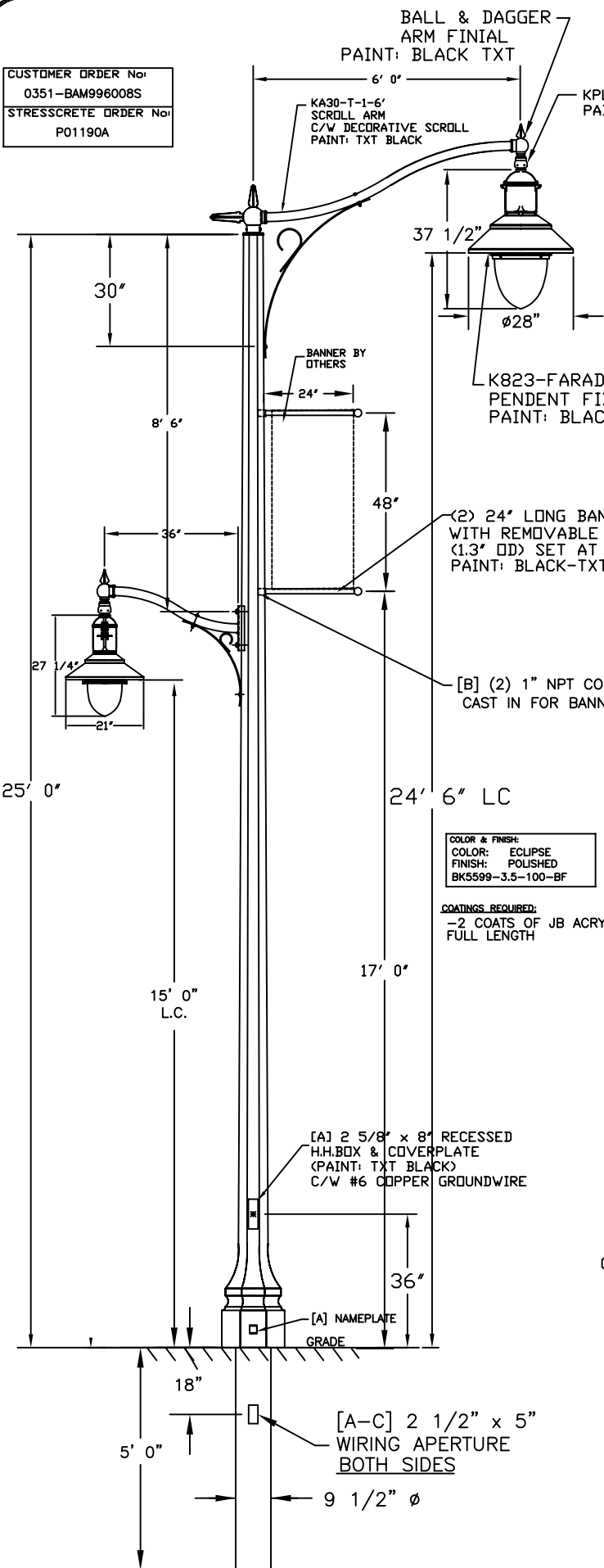


CUSTOMER ORDER No:
0351-BAM996008S
STRESSCRETE ORDER No:
P01190A

REV.	ALTERATION	DATE	BY
A	ADDED BANNER ARM SET	12-16-14	RF



STREET LIGHT LUMINAIRE SPECIFICATIONS
 CATALOG NO.: K823-FADAR-III-75(SSL)
 -8000-120/277-KPL10
 QUANTITY: 5
 OPTICAL SYSTEM: FLAT ARRAY DEEP RIPPLED LENS
 IES CLASS.: TYPE III
 WATTAGE: 75W
 SOLID STATE LIGHTING
 LINE VOLTAGE: 120/277V
 KELVIN CCT: 4500K
 PAINT: TEXTURED BLACK
 OPTIONS: KPL10 LEVELING DEVICE

BALLAST SPECIFICATIONS
 SUPPLIED
 BALLAST TYPE: ELECTRONIC
 OPTIONS
 QUICK DISCONNECT
 OTHER: 540 JOULE @ 2ms 20kA-8/20us
 SURGE PROTECTION

PEDESTRIAN LUMINAIRE SPECIFICATIONS
 CATALOG NO.: K723-FADAR-III-40(SSL)
 -5000-120/277-KPL10-BLK
 QUANTITY: 5
 OPTICAL SYSTEM: FLAT ARRAY LED
 IES CLASS.: TYPE III
 WATTAGE: 40W (5000 SERIES)
 SOLID STATE LIGHTING
 CCT: 4500K
 LINE VOLTAGE: 120/277V
 PAINT: TEXTURED BLACK
 OPTIONS: KPL10-LEVELING DEVICE

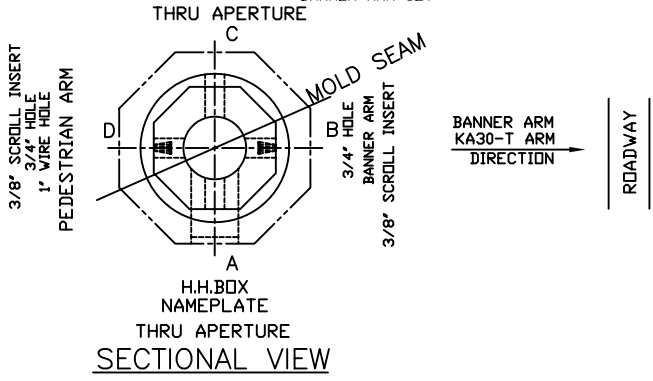
STREET ARM SPECIFICATIONS
 CATALOG NO.: KA30-T-1-6'
 QUANTITY: 5
 MATERIAL: ALUMINUM
 PAINT: TEXTURED BLACK

PED ARM SPECIFICATIONS
 CATALOG NO.: KA40-S-1-3'
 QUANTITY: 5
 MATERIAL: ALUMINUM
 PAINT: TEXTURED BLACK

POLE SPECIFICATIONS
 CATALOG NO.: KBH25-G-S11-DB-BA C/W140(25/30)
 QUANTITY: 5
 COLOR: ECLIPSE
 FINISH: POLISHED
 POLE TOP: 5 3/8" FL/FL
 POLE BUTT: Ø9 1/2"
 POLE LENGTH: 30' 0"
 APPROX. WEIGHT: 1,800 lbs.
 MIN. RACEWAY: Ø1 1/8"
 OPTIONS: STANDARD LIFETIME WARRANTY
 BANNER ARM SET

COLOR & FINISH:
 COLOR: ECLIPSE
 FINISH: POLISHED
 BK5599-3.5-100-BF

COATINGS REQUIRED:
 -2 COATS OF JB ACRYLIC
 FULL LENGTH



CUSTOMER APPROVAL & DATE:

 King Luminaire • Stresscrete • Est. 1953 STRESSCRETE GROUP	Manufacturing Locations: Burlington, Ontario 1-800-268-7809 Northport, Alabama 1-800-435-6563 Atchison, Kansas 1-800-837-1024 Jefferson, Ohio 1-800-268-7809
	PROJECT/CUSTOMER: McFARLAND STREET LIGHTING TYPE L1 ASSEMBLY

DRAWN BY: RF	AT: SC3	CHECKED BY:	DATE: 12-10-13	REVISION: A
DRAWING TYPE: APPROVAL DRAWING			DRAWING NUMBER: P01190A-ASSY	

NOTE:
 STRESSCRETE MAKES NO CLAIMS THAT THE REFERENCE EMBEDMENT DEPTH SHOWN IS SUITABLE FOR SUPPORTING THIS STRUCTURE. IT IS RECOMMENDED THAT A COMPETENT PROFESSIONAL EVALUATE THE SOILS PRESENT ON SITE, CONFIRMING REQUIRED EMBEDMENT DEPTH, HOLE DIAMETER AND BACKFILL MATERIAL TO BE USED.